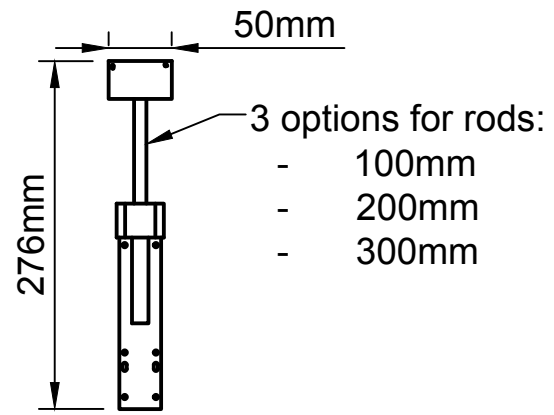
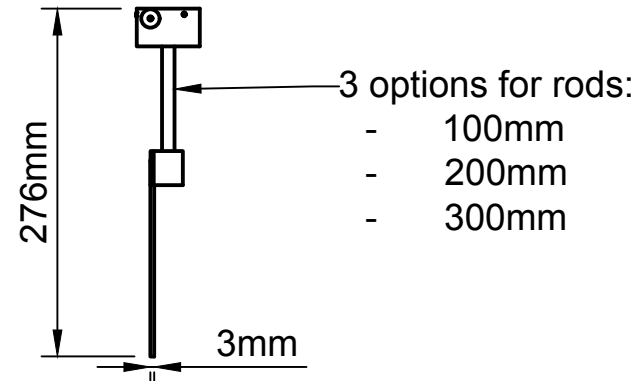


Front View (Scale 1:6)

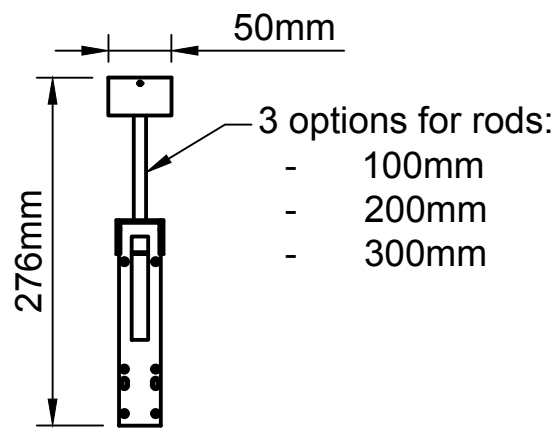


Right View (Scale 1:6)

DIMENSIONS APPLY TO BOTH SIDES

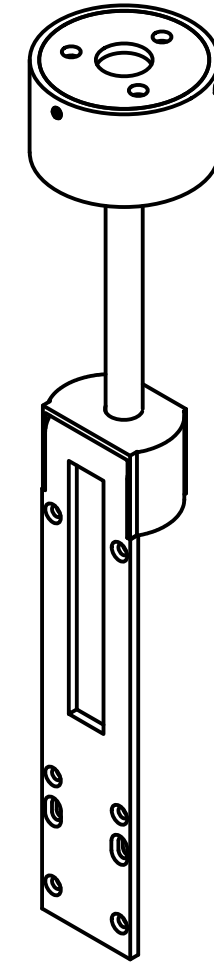
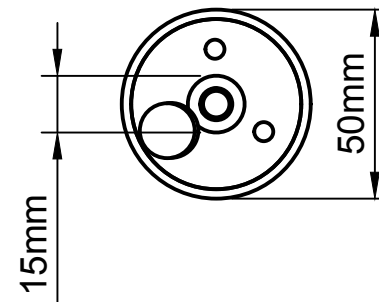


Rear View (Scale 1:6)



Top View (Scale 1:2)

DIMENSIONS APPLY TO BOTH SIDES



**BEC**  
*Akustik*

DESCRIPTION	Deckenhalterung		Errors and omissions excepted (E&OE)	
	NOTICE		DIMENSIONS	
2025 BEC Produktmanagement mbH THIS DRAWING MAY NOT BE COPIED, REPRODUCED, OR USED AS THE BASIS FOR MANUFACTURE OR SALE OF APPARATUS WITH OUT THE PRIOR WRITTEN AUTORIZIATION OF BEC Gesellschaft für Produktmanagement mbH		UNLESS OTHERWISE SPECIFIED MILLIMETERS		DATE
		DO NOT SCALE DRAWING		20.12.25
				Version V1